

ALT-BERLIN 9000

Outdoor Lighting



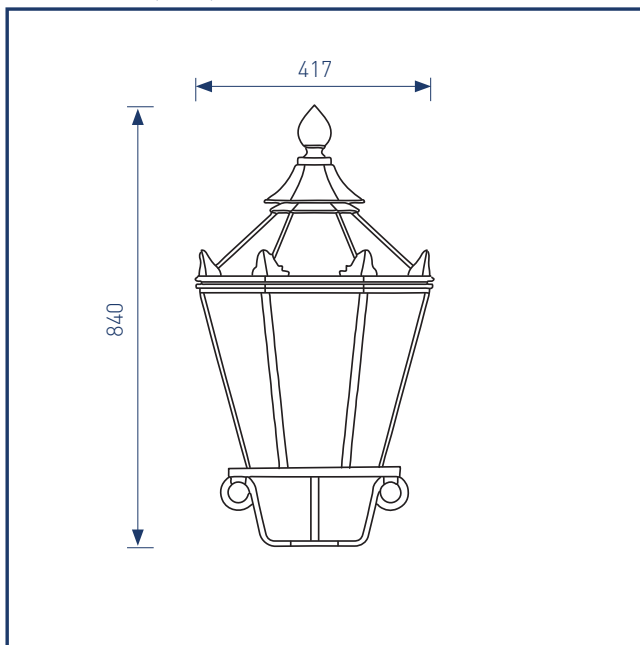
Your product advantages

- ✓ **True to detail:** Historical luminaire with newest LED technology
- ✓ **Economic:** 90% energy saving compared to conventional gas lightings
- ✓ **Maintenance friendly:** Few or no maintenance work necessary

Application areas

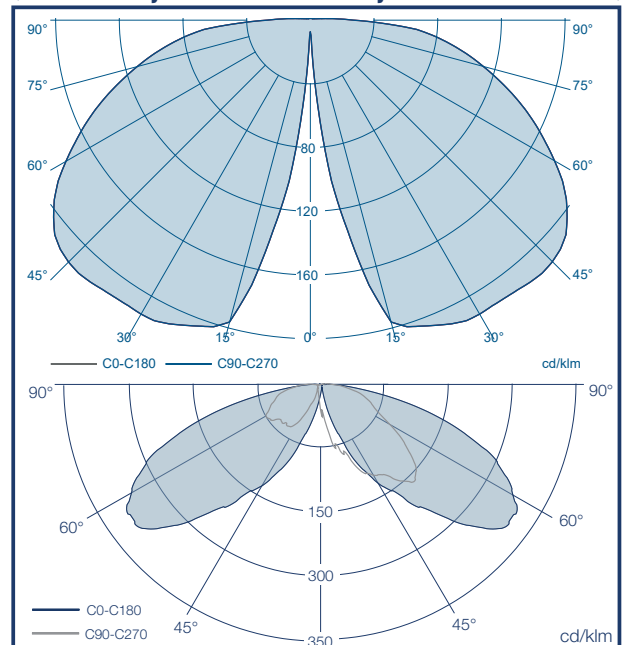
Roads in residential areas, historical places, parks

Dimensions (mm)



Light distribution

(rotational symmetric beam / asymmetric wide beam)



ALT-BERLIN 9000

Lighting fixtures body		
Material	Die cast aluminium (carcass), Aluminium (shield)	
Colour (powder coating)	RAL or DB	
Mounting type	Post top installation accessory with ladder crossbar (Ø 76 mm)	
Orientation possibilities	—	
Dimension (height x diameter)	840 x 417 mm	
Weight	app. 14 kg	
Exposed wind surface	0.385 kg	
IP Protection class	IP 54	
Glass type	PMMA (transparent / structured)	
Shock resistance	IK 08	
Photometric properties		
Light source	Gas lights mantle imitation with Mid-Power-LEDs	LED Modules with High-Power-LEDs
Optical system	Rotational symmetric beam	Asymmetric wide beam
Rated luminous flux	900 – 2,600 lm	1,000 – 3,000 lm
Light efficiency	86 lm/W	100 lm/W
Colour temperature	2,700 K	3,000 / 4,000 K
Colour rendering index (Ra)	> 80	> 70
Dimming (power control)	—	Power line control / digital
Rated lifetime at (ta) 30°C	50,000 h at L80	
Temperature management	—	✓
Constant Light Output (CLO)	—	✓
Electrical properties		
Rated power	10 – 30 W	10 – 30 W
Electrical protection class	Class I / II	
Rated voltage	170 – 264 V	
Frequency	50 – 60 Hz	
Surge protection (L-N / L N-ground)	6 / 8 kV	
Installation suggestions		
Application areas	Roads in residential areas, historical places, parcs	
Light point height	2,5 – 4 m	
Lighting classes	—	
Admitted ambient temperature (ta)	-25°C – +35°C	
Other properties		
Certificate	CE	
Connection to circuit breaker (B16)	17 pcs.	
Options		
Ladder crossbar Ø 60 mm	✓	
DALI Interface (not with phase control)	—	✓

04/2016_TDS_EN_V1.0

HELLUX International GmbH

Mergenthalerstraße 6
30880 Laatzen, Germany

Phone +49 (0)511 820 10-0
Fax +49 (0)511 820 10-102

info@hellux.de
www.hellux.de

©HELLUX International GmbH. Data may vary due to actual version. Subject to technical changes. All statements without guarantee.



A COMPANY OF WÜNSCHE GROUP