

# GENIUS 1900

## Outdoor Lighting



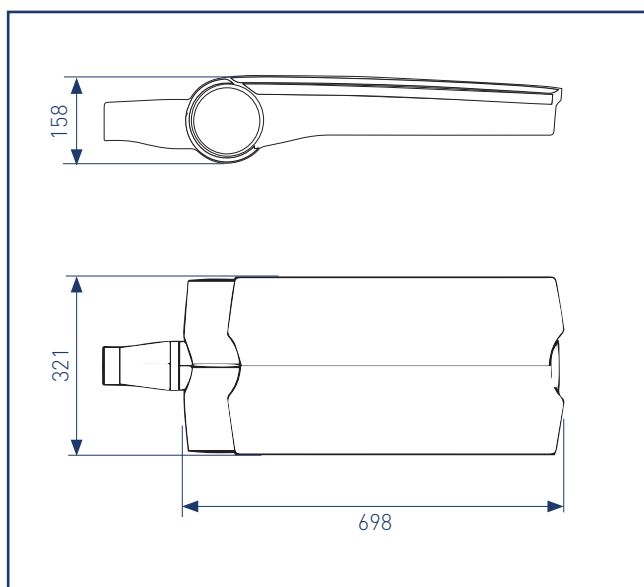
### Your product advantages

- ✓ **Maintenance friendly:** Tool-less opening to the top
- ✓ **Sustainable:** Electrical components removable without tools
- ✓ **Quick:** Tilt adjustment from outside by pressing lever ‚PUSH‘

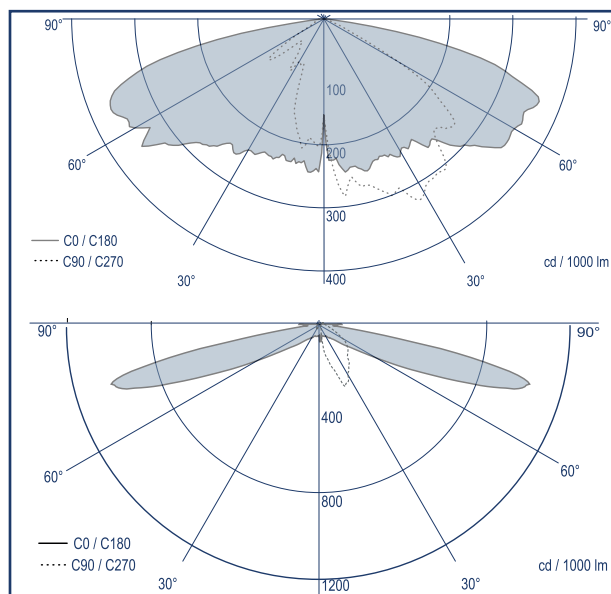
### Application areas

Traffic roads, roads in residential areas, cycle paths

### Dimensions (mm)



### Light distribution (Asymmetric wide beam / wide beam)



**GENIUS 1900**

**Lighting fixtures body**

Material	Die cast aluminium	
Colour (powder coating)	RAL or DB	
Mounting type	Post top or side mounting	
Orientation possibilities	0 – 90° (in 5°-steps)	
Dimension (length x width x height)	698 x 321 x 158 mm	
Weight	app. 17 kg	
Exposed wind surface	0,096 m <sup>2</sup>	
IP Protection class	IP 66	
Glass type	PMMA	
Shock resistance	IK 08	

**Photometric properties**

Light source	LED Modules with High-Power-LEDs	
Optical system	Asymmetric wide beam	Wide beam
Rated luminous flux	1,100 – 8,140 lm	1,200 – 3,600 lm
Light efficiency	110 lm/W	120 lm/W
Colour temperature	3,000 / 4,300 K	3,000 / 4,000 K
Colour rendering index (Ra)	> 70	
Dimming (power control)	Power line control /digital	
Rated lifetime at (ta) 30°C	85,000 h at L80/B10	
Temperature management	✓	
Constant Light Output (CLO)	✓	

**Electrical properties**

Rated power	10 – 26 W / 26 – 52 W / 52 – 74 W	10 – 30 W
Electrical protection class	Class I / II	
Rated voltage	120 – 277 V	
Frequence	50 – 60 Hz	
Surge protection (L–N / L N–ground)	6 / 8 kV	

**Installation suggestions**

Application areas	roads / roads in residential areas	cycle paths
Light point height	4 –10 m	
Lighting classes	ME/S	S
Admitted ambient temperature (ta)	-25°C – +35°C	

**Other properties**

Certificate	CE	
Connection to circuit breaker (B16)	20 pcs. at 10 – 26 W / 12 pcs. at 26 – 74 W	

**Options**

Simple reduction part to Ø 60 / 42	Die cast aluminium	
Decorative reduction part to Ø 60 / 42	Die cast aluminium	