

QUANTUS 191

Outdoor Lighting



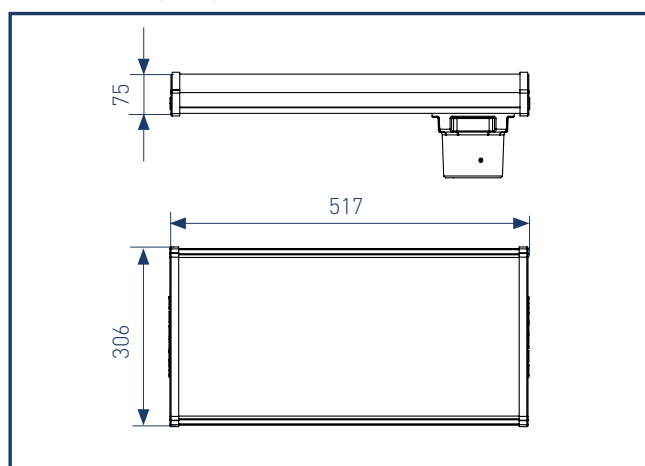
Your product advantages

- ✓ **Efficient:** Use of newest Mid-Power LED
- ✓ **Physiological:** Reduction of glare by use of 256 Mid-Power LED modules
- ✓ **Reliable:** Best thermal management by large LED Modules
- ✓ **Sustainable:** Low current supply and intelligent LED wiring

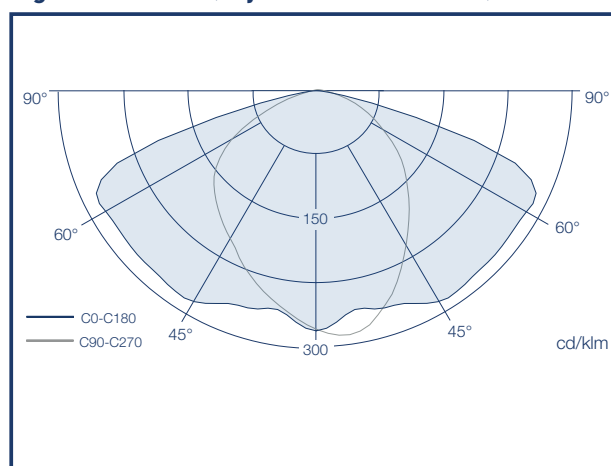
Application areas

roads in residential areas, parking areas

Dimensions (mm)



Light distribution (asymmetric wide beam)



QUANTUS 191

Basic

Eco

Lighting fixtures body		
Material	Extruded aluminium profile / Die cast aluminium	
Colour (powder coating)	RAL or DB	
Mounting type	Post top (76 mm)	
Orientation possibilities	no (basic up tilt of 0°)	
Dimension (length x width x height)	517 x 306 x 75 mm	
Weight	app. 7 kg	
Exposed wind surface	0,04 m ²	
IP Protection class	IP 65	
Glas type	PMMA	
Shock resistance	IK 08	
Photometric properties		
Light source	LED Light Engine with Mid-Power-LED	
Optical system	asymmetric wide beam light distribution	
Rated luminous flux	4,200 / 5,500 / 6,900 / 8,100 lm	3,400 - 6,900 lm
Light efficiency	115 / 115 / 115 / 110 lm/W	app. 115 lm/W
Colour temperature	3,000 / 4,000 K	
Colour rendering index (Ra)	> 80	
Dimming (power control)	—	power line control /Digital
Rated lifetime at (ta) 30°C	50,000 h at L80/B10	
Temperature management	—	✓
Constant Light Output (CLO)	—	✓
Electrical properties		
Rated power	36 / 48 / 60 / 74 W	30 – 60 W
Electrical protection class	Class I / II	
Rated voltage	120 – 277 V	
Frecuence	50 – 60 Hz	
Surge protection (L-N / L N-ground)	6 kV	6 / 8 kV
Installation suggestions		
Application areas	roads in residential areas, parking areas	
Light point height	5 – 8 m	
Lighting classes	S	
Admitted ambient temperature (ta)	-25°C – +35°C	
Other properties		
Certificate	ENEC*, CE	
Connection to circuit breaker (B16)	17 pcs.	
Options		
Reduction part to Ø 60/42	✓	

* on the way of approval

