

# QUANTUS 192

## Outdoor Lighting



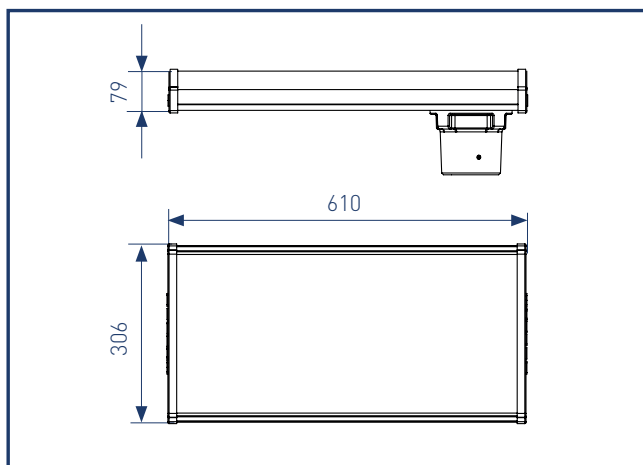
### Your product advantages

- ✓ **Efficient:** Use of newest Mid-Power LED
- ✓ **Physiological:** Reduction of glare by use of 384 Mid-Power LED modules
- ✓ **Reliable:** Best thermal management by large LED Modules
- ✓ **Sustainable:** Low current supply and intelligent LED wiring

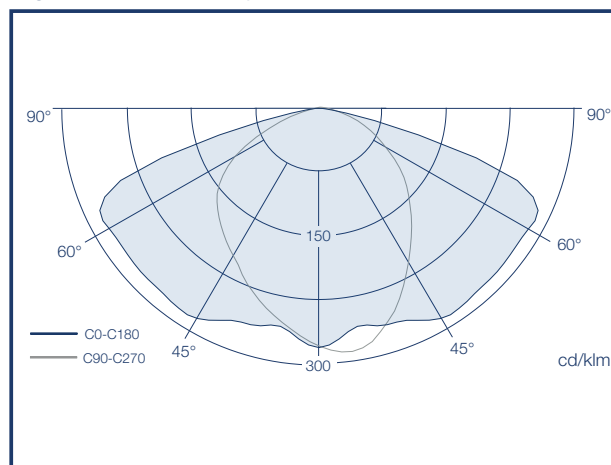
### Application areas

Roads in residential areas, parking areas

### Dimensions (mm)



### Light distribution (asymmetric wide beam)



**QUANTUS 192**

**Basic**

**Eco**

Lighting fixtures body		
Material	Extruded aluminium profile / Die cast aluminium	
Colour (powder coating)	RAL or DB	
Mounting type	Post top (76 mm)	
Orientation possibilities	no (basic up tilt of 0°)	
Dimension (length x width x height)	610 x 306 x 79 mm	
Weight	app. 9 kg	
Exposed wind surface	0,0415 m <sup>2</sup>	
IP Protection class	IP 65	
Glas type	PMMA	
Shock resistance	IK 08	
Photometric properties		
Light source	LED Light Engine with Mid-Power-LED	
Optical system	asymmetric wide beam light distribution	
Rated luminous flux	7,000 / 8,000 / 9,000 / 10,000 / 11,000 lm	7,000 – 11,000 lm
Light efficiency	115 / 115 / 115 / 110 / 100 lm/W	100 – 115 lm/W
Colour temperature	3,000 / 4,000 K	
Colour rendering index (Ra)	> 80	
Dimming (power control)	–	power line control /digital
Rated lifetime at (ta) 30°C	50,000 h at L80/B10	
Temperature management	–	✓
Constant Light Output (CLO)	–	✓
Electrical properties		
Rated power	60 / 70 / 78 / 90 / 110 W	60 – 110 W
Electrical protection class	Class I / II	
Rated voltage	120 – 277 V	
Frequence	50 – 60 Hz	
Surge protection (L–N / L N–ground)	6 kV	6 / 8 kV
Installation suggestions		
Application areas	roads in residential areas, parking areas	
Light point height	6 – 14 m	
Lighting classes	S	
Admitted ambient temperature (ta)	-25°C – +35°C	
Other properties		
Certificate	ENEC*, CE	
Connection to circuit breaker (B16)	17 pcs.	
Options		
Reduction part to Ø 60 mm	✓	

\* on the way of approval

03/2016\_TDB\_EN\_V1.0

HELLUX International GmbH

Mergenthalerstraße 6  
30880 Laatzen, Germany

Phone +49 (0)511 820 10-0  
Fax +49 (0)511 820 10-102

info@hellux.de  
www.hellux.de

©HELLUX International GmbH. Data may vary due to actual version. Subject to technical changes. All statements without guarantee.



A COMPANY OF WÜNSCHE GROUP