

# TRAPEZ 143

## Outdoor Lighting



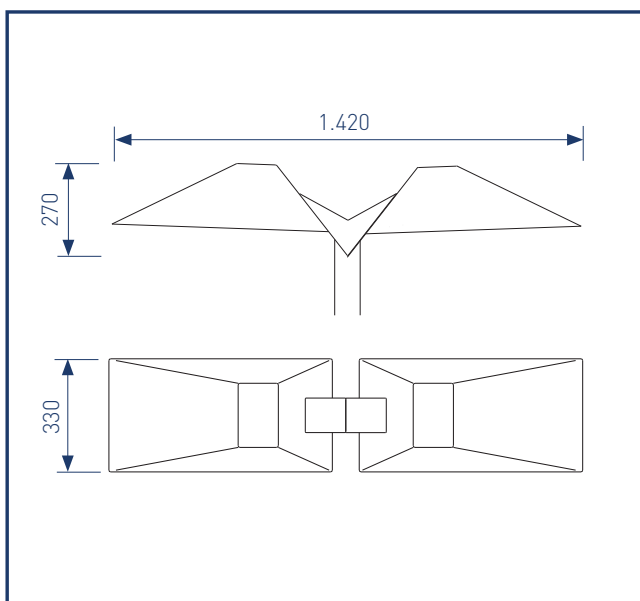
### Your product advantages

- ✓ **Holistic:** Product family with an uniform design for your different applications
- ✓ **Sustainable:** Tool-less change of electronic and LED modules
- ✓ **Reliable:** Lifetime of the LED driver and LED modules at 85,000 h

### Application areas

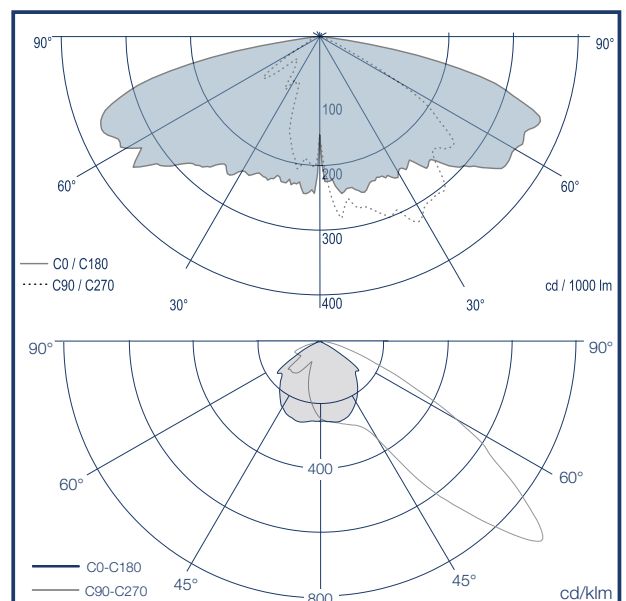
Traffic roads, parking areas

### Dimensions (mm)



### Light distribution

(asymmetric wide beam / asymmetric forward beam)



**TRAPEZ 143**

**Basic**

**Eco**

Lighting fixtures body		
Material	Die cast aluminium	
Colour (powder coating)	RAL or DB	
Mounting type	Post top (Ø 76, 60 mm)	
Orientation possibilities	Basic up tilt of 2°	
Dimension (length x width x height)	1,420 x 330 x 270 mm	
Weight	app. 28 kg	
Exposed wind surface	0,19 m <sup>2</sup>	
IP Protection class	IP 65	
Glass type	PMMA / PC	
Shock resistance	IK 08	
Photometric properties		
Light source	LED Modules with High-Power-LEDs	
Optical system	Asymmetric wide beam and asymmetric forward light distribution	
Rated luminous flux	2x (4,200/ 5,000/ 6,000/ 7,000)lm	2x (4,200 – 7,000)lm
Light efficiency	115 lm/W	115 lm/W
Colour temperature	3,000 / 4,300 K	
Colour rendering index (Ra)	> 70	
Dimming (power control)	–	Power line control / Digital
Rated lifetime at (ta) 30°C	80,000 h at L80/B10	85,000 h at L80/B10
Temperature management	–	✓
Constant Light Output (CLO)	–	✓
Electrical properties		
Rated power	2 x (36 / 44 / 52 / 60) W	2 x (30 – 60 W (in 2W-steps))
Electrical protection class	Class I / II	
Rated voltage	198 – 264 V	220 – 240 V
Frequence	50 – 60 Hz	
Surge protection (L-N / L N-ground)	6 / 8 kV	
Installation suggestions		
Application areas	Traffic roads, parking areas	
Light point height	5 – 8 m	
Lighting classes	ME/S	
Admitted ambient temperature (ta)	-25°C – +35°C	
Other properties		
Certificate	CE	
Connection to circuit breaker (B16)	6 pcs.	
Options		
Additional part Over tension resistant	10 kV	
DALI Interface (not with power line control)	–	✓

04/2016\_TDS\_EN\_V1.0

**HELLUX International GmbH**

Mergenthalerstraße 6  
30880 Laatzen, Germany

Phone +49 (0)511 820 10-0  
Fax +49 (0)511 820 10-102

info@hellux.de  
www.hellux.de

©HELLUX International GmbH. Data may vary due to actual version. Subject to technical changes. All statements without guarantee.



A COMPANY OF **WÜNSCHE GROUP**